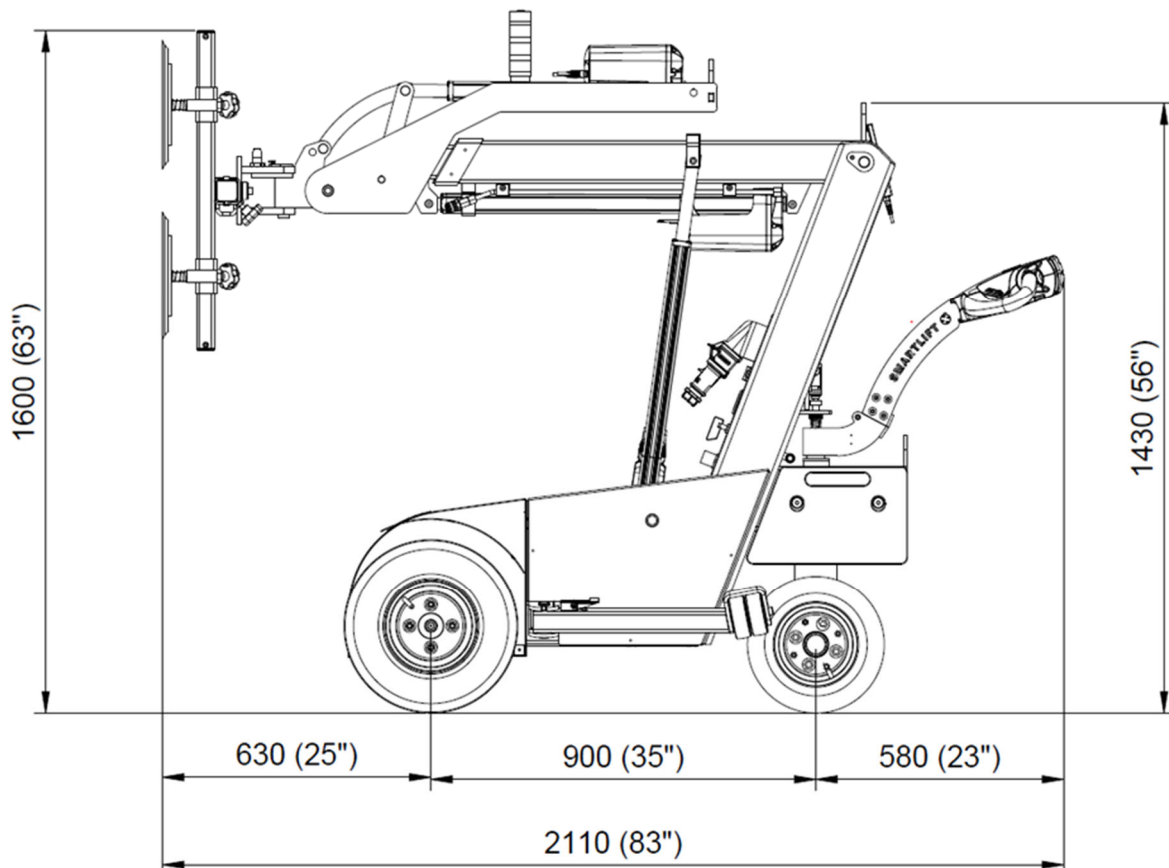
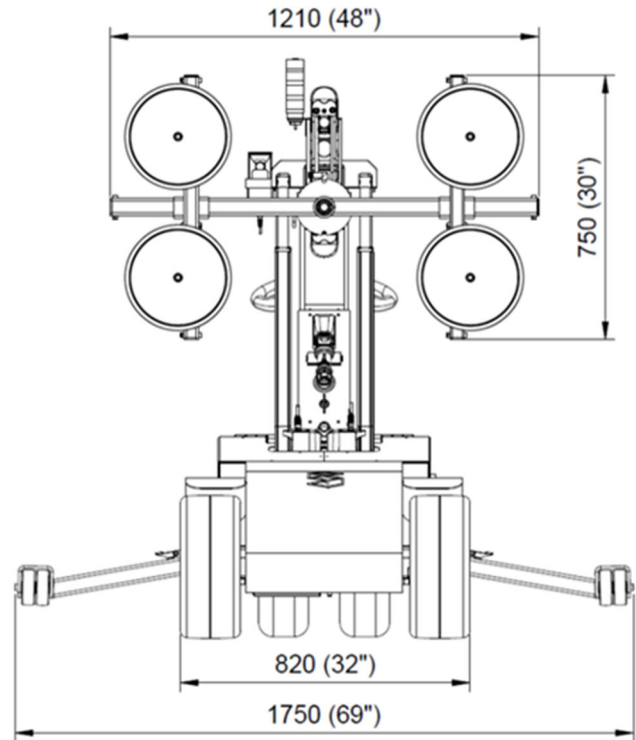


SL309 OUTDOOR

TECHNICAL SPECIFICATIONS

Lifting cap. arm in/out	350/170 kg - 770/370 lb
Lifting height	3070 mm/121 in
Extension of arm	600 mm/ 24 in
Tip from horizontal	35° back / 135° fwd
Side shift	100 mm / 4 in
Charging voltage	230 V / 110 V
Charging time	Approx. 10 hrs
Running period	Up to 10 hrs
Front-wheel drive	1500 W AC
Suction pads	4 x Ø300 mm / 4 x Ø12 in
Width	820 mm / 32 in
Curb weight	620 kg / 1370 lb



SL 309

170	240	350	350	kg
370	530	770	770	lb

m
feet

3,0
9.84

2,5
8.20

2,0
6.56

1,5
4.92

1,0
3.28

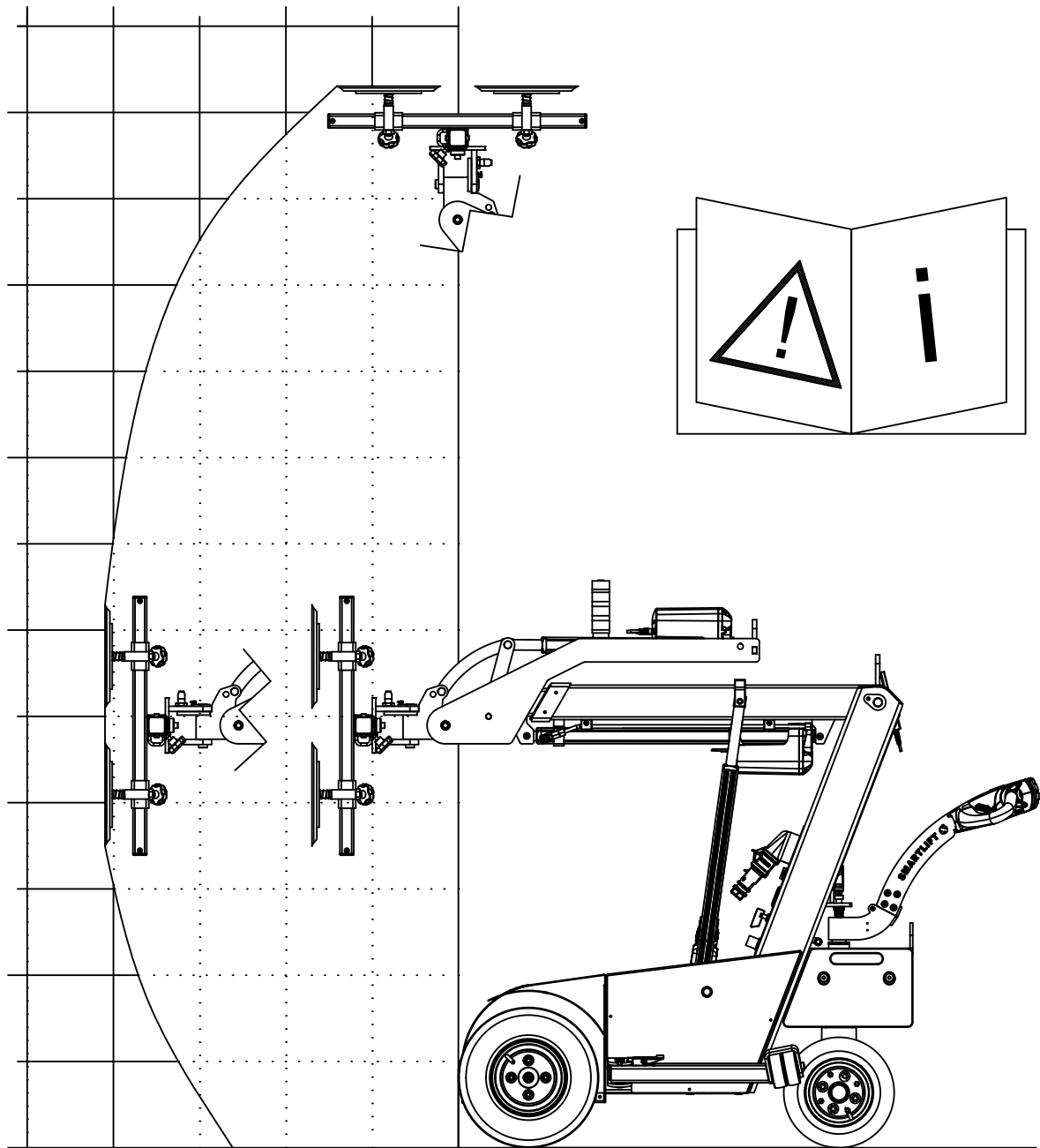
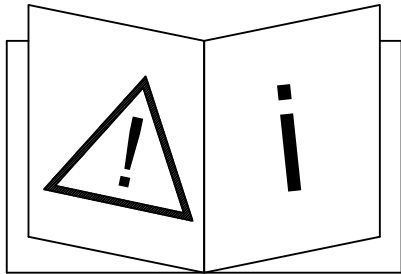
0,5
1.64

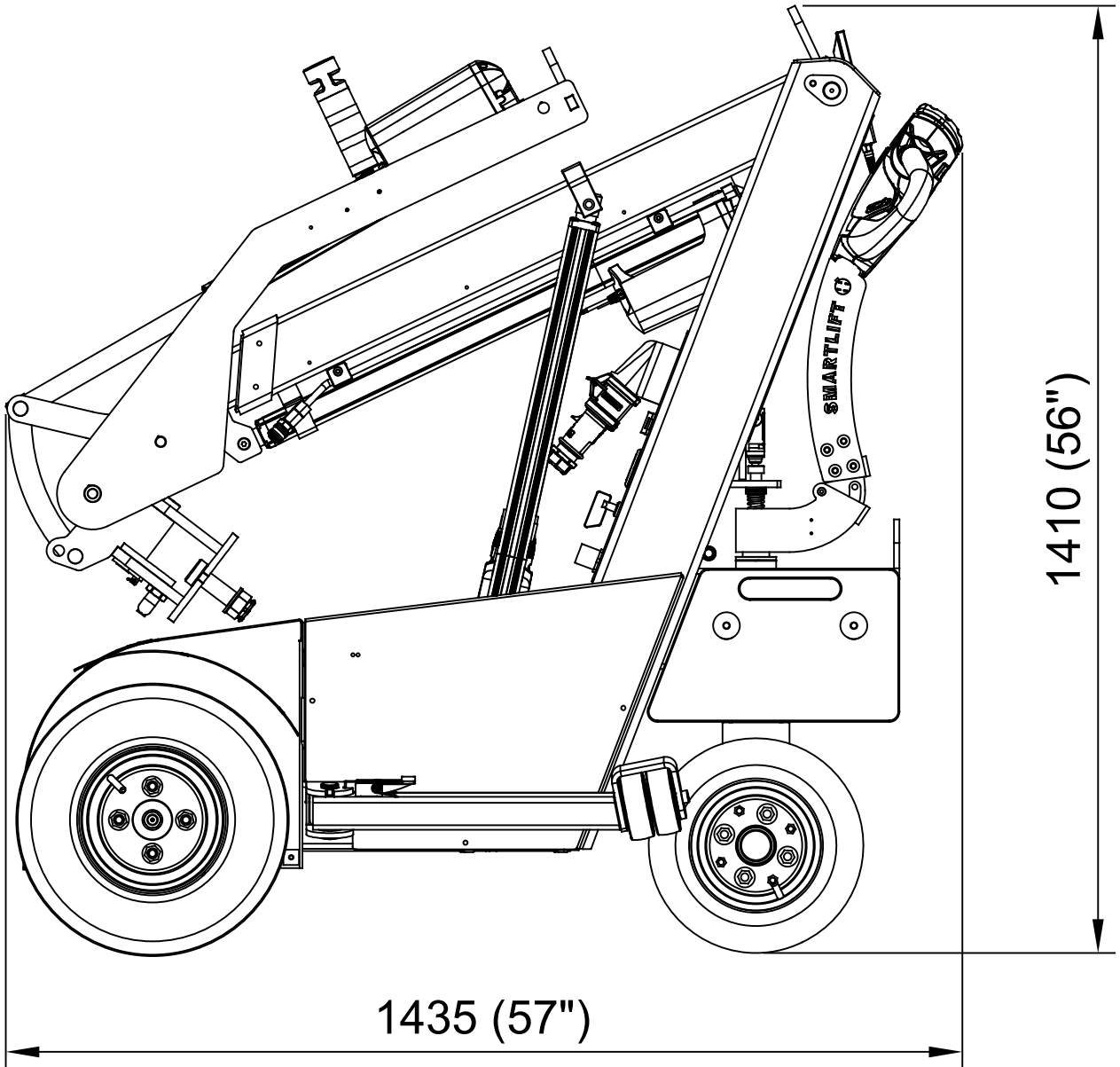
0
0

1,0
3.28

0,5
1.64

0 m
0 feet





1435 (57")

1410 (56")